



Eaton's Carter 4 inch adapters are made in accordance with API Bulletin 1584 to mate API 1584 compliant hydrant or bottom loading couplers. These adapters are furnished with flanges to mate 4 inch ANSI 150 lb. flat or raised faced flanges. Both ductile iron and aluminum materials are available. These adapters are designed to be used for bottom loading of a refueler, for connection to a hydrant system or for tank farm pumping system for test adapters.

Product selectivity is available as an optional feature.

Features

- Flanges to mate 4 inch ANSI 150 lb. flanges, either raised face (Model 61526) or flat faced (Model 60505)
- Connection in accordance with API Bulletin 1584
- Optional product selectivity feature available
- Suitable for either hydrant or bottom loading applications
- Plastic dust cap available
- Ductile iron (Model 60505) or aluminum (Model 61526) bodies available
- Ductile iron model is epoxy coated for corrosion protection



Powering Business Worldwide

Ordering Data

Model	Description	Weight lbs (kg)	
60505	Ductile iron body	28.5	(13.0)
61526	Aluminum alloy body	12.5	(5.7)

Option Letter	Description	Weight Change lbs (kg)	
A	Adds product selection (6 positions)	+0.4	(0.18)
E	Adds plastic dust cap	+0.2	(0.10)

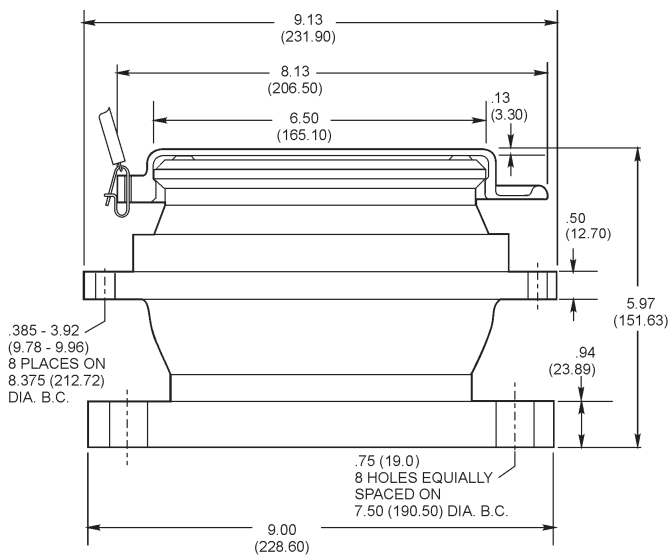
Examples:

- 60505AE 4 inch ANSI flange x 4 inch API 1584 connection, with product selection for 6 positions and plastic dust cap
- 61526B 4 inch ANSI flange x 4 inch API 1584 connection

Envelope Information

The data shown below is to be used for installation purposes only and is not intended to be used for inspection purposes.

Dimensions shown in inches (millimeters)



For other Eaton Carter adapters, refer to catalog sheet TF100-77, which describes the 2-½ inch adapters using the 2-½ inch bayonet type connections.